



EQUIPMENT TECHNOLOGY, L.L.C.

# ETA 29/33/37

## GENERAL SPECIFICATIONS

	ETA 29	ETA 33	ETA 37
Height to Bottom of Bucket*	29'	33'	37'
Working Height*	34'	38'	42'
Side Reach	17' 6"	19' 6"	21' 6"
Stowed Height*	9' 9"	9' 9"	9' 9"
Rated Capacity	300 lbs.	300 lbs.	300 lbs.
Operating Pressure (Min.)	2,000 psi	2,000 psi	2,000 psi
Operating Volume	3 gpm	3 gpm	3.75 gpm

\* based on 36" frame height

## MINIMUM VEHICLE SPECIFICATIONS

GVWR (with Dual Rear Wheels)	11,000 lbs.	11,000 lbs.	15,000 lbs.
GAWR (front)	4,100 lbs.	4,100 lbs.	5,000 lbs.
GAWR (rear)	8,250 lbs.	8,250 lbs.	11,000 lbs.
C.A.	60 inches	60 inches	60 inches

## STANDARD FEATURES

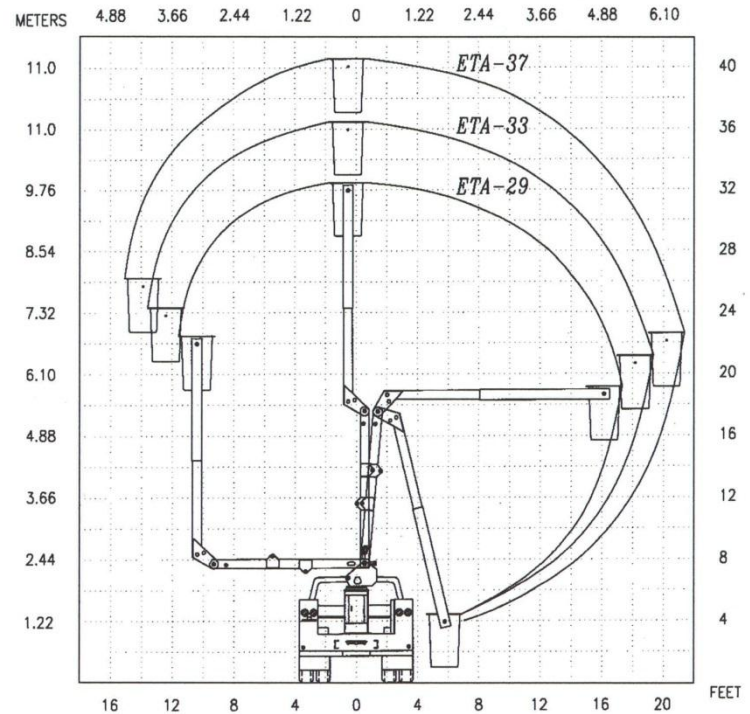
- Continuous rotation is standard on all ETA units.
- Full pressure hydraulic controls located at basket and turret with full feathering capabilities from both upper and lower controls.
- Positive chain and rod leveling based on parallelogram system ensuring long life and minimum leveling system maintenance.
- Shear ball rotation gear driven by internal drive gear box. The gear box has an extended shaft for manual rotation.
- Internally mounted holding valves (integral part of cylinder) lock cylinders in place in the event of hydraulic failure.
- All pins turn on replaceable bushings.
- Ability to access body compartments from basket.

ETI manufactured equipment meets or exceeds OSHA, ANSI 92.2 and FMVSS standards at time of manufacture.

## AVAILABLE OPTIONS

- Emergency Hydraulic Power (12 volt DC)
- Engine Start/Stop System
- Hydraulic Tool Circuit
- Two Speed Throttle System
- Bucket Tilt/Rescue
- Single Handle Control
- One Foot Riser
- 69 KV Rating — Category B
- Bucket Liner
- Bucket Cover
- Lower Boom Insert (ETA 37 Only)
- Non-insulated Upper Boom
- Electric Tool Circuit (Non-insulated Units)
- Air Line to Bucket
- Oversize Bucket (24x30x42)
- Foul Weather Bucket/Splicer Bucket

## Reach Diagram ETA Units



EQUIPMENT TECHNOLOGY, INC. 341 N.W. 122ND STREET OKLAHOMA CITY, OK 73114  
 TOLL FREE: 888/748-3841 FAX: 405/755-6829  
 WWW.ETI1.COM

# ETA 29/33/37

## Full Hydraulic Articulating Models From 34'-42' Working Heights



# ETI<sup>®</sup>

EQUIPMENT TECHNOLOGY, L.L.C.